



# INSTALLATION GUIDE

---

## SHOWER + TUB TILE PANELS



## PRODUCT OVERVIEW

Six3Tile® is a revolutionary product that problem-solves for cost-and-time prohibitive tile installations. Six3Tile products are large format tile panels that provide a simple, interlocking design and can be grouted immediately - saving time and money. Six3Tile Shower and Tub tile panels include everything you need at a fraction of the time of traditional ceramic tile projects. Each shower and tub panel package includes enough tile panels to renovate a typical bathroom. Six3Tile is striving to simplify the tiling experience, providing rapidly renovated bathrooms with modern, luxury tile.

## TILING MADE EASY

If you have questions or concerns, please email us at [support@six3tile.com](mailto:support@six3tile.com).



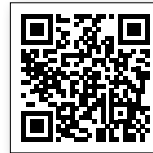
[Six3Tile.com](https://Six3Tile.com)



[@\\_Six3Tile](https://www.instagram.com/_Six3Tile)



[@Six3Tile](https://www.youtube.com/@Six3Tile)



**SHOWER + TUBS: WATCH OUR  
INSTALLATION VIDEO**



## SAFETY GUIDELINES

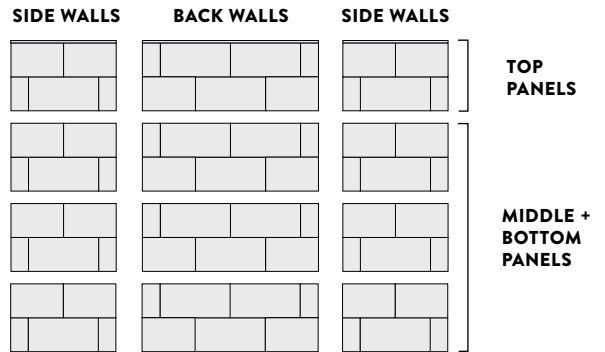
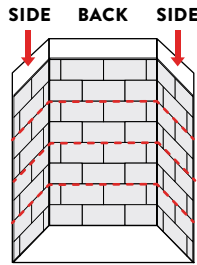
- Always wear eye protection throughout the entire installation process.
- Make sure your work area is clean and free of debris or tools that might pose a hazard.
- Use ear plugs and a dust mask if using power tools.

## WHAT TO EXPECT IN YOUR PACKAGE

### SHOWER PACKAGE CONTENTS

#### 12 tile panels

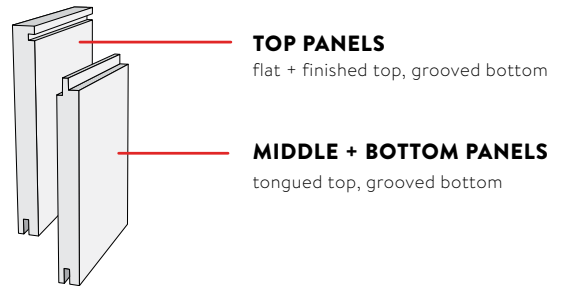
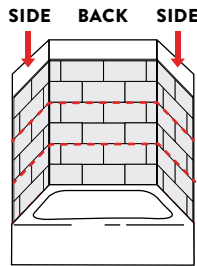
- 4 Back wall panels = 60" W x 24" H
  - 8 Side wall panels = 36" W x 24" H
- This kit will reach 94" high once installed*



### TUB PACKAGE CONTENTS

#### 9 tile panels

- 3 Back wall panels = 60" W x 24" H
  - 6 Side wall panels = 36" W x 24" H
- This kit will reach 70" high once installed*

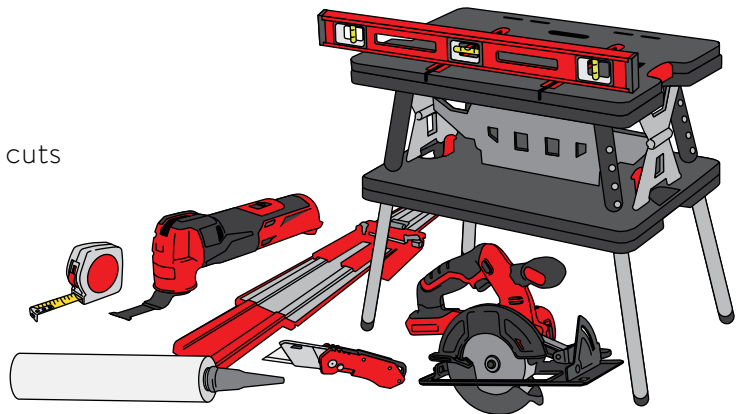


## BASIC TOOLS + MATERIALS

- Circular saw with fine tooth wood blade
- Oscillating tool with fine tooth blade
- Utility knife
- Tape measure and pencil or marker
- Drill
- Level
- Hole Saw Drill Bits
- Speed square or T-square
- Work surface
- Track saw guide recommended for long, straight cuts
- Silicone
- Grout buckets
- Grout float
- Grout sponges
- Grout paddle for mixing
- Waterproof Caulk
- Construction Adhesive
- Grout (unsanded)



**TILE TOOLS LIST: [READ OUR BLOG](#)**



Our tile panels should always be stored indoors, out of the elements, and flat. **We do not supply adhesives, grout, edging or accessories.**



## PREPPING THE SURFACE

Make sure the mounting surface is smooth, dry and solid. The mounting surface behind the tile panels needs to meet applicable code requirements. Tile can be attached to moisture-resistant drywall (such as green board and purple board), cement backer board or over existing tile. **NO** direct-to-stud application. **If installing over existing tile**, make sure the surface is level, removing any soapdishes, towel bars, etc. and tile is thoroughly cleaned of any mold, mildew or soap residue to ensure the construction adhesive will properly cure to the tile surface.

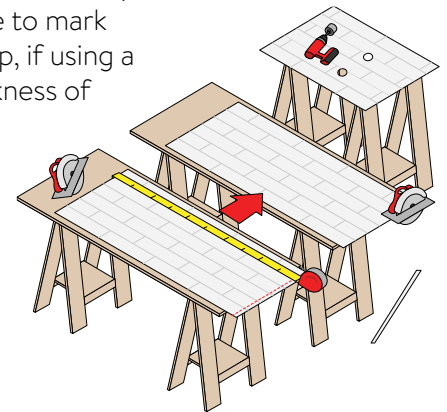


**PRO TIP: Six3Tile® can be installed over existing tile!**

Use a workbench or solid work surface to cut the tile panel using a circular saw with track guide, we recommend a circular saw with a track guide, however an oscillating tool or utility knife with straight edge guide will also work. After measuring, use a straight edge to mark the cut line. Blade depth is important for clean cuts. A Six3Tile panel is 6mm deep, if using a circular saw, you want to make sure your blade depth is slightly deeper than thickness of the panel. Consider clamping the panel to your work surface for added stability.

An oscillating tool or a standard hole saw for power drills can be used to cut access holes for pipes and fittings.

Install tile panels to the wall surface using construction adhesive. Read the adhesive manufacturer's recommendations regarding surface prep amount to use and curing time.



## SUBSTRATES TO RECEIVE SIX3TILE PANELS:

- ✓ PAPER FACED DRYWALL
- ✓ MOISTURE RESISTANT DRYWALL
- ✓ CEMENT BACKER BOARD
- ✓ CERAMIC TILE
- ✓ VINYL-OVER-GYPSUM
- ✓ CONCRETE BLOCK
- ✓ BRICK
- ✓ PVC



**NO DIRECT-TO-STUD APPLICATION**

## WATERTIGHT SEAL

The tile panels are designed with a self-spacing tongue-and-groove that forms a watertight seal. This joint is also designed to automatically create a grout channel so no tile spacers are necessary. This process will be used throughout the entire install.



Check out our [third party report](#) to learn more about our durability.



**WATERTIGHT TESTING:  
READ OUR BLOG**

Six3Tile® products are designed to be installed in a specific order - this minimizes cutting and dramatically decreases the amount of time necessary to install the entire surround.

## STEP 1

**Check the Base or Tub for Level:** Use a level to see if the shower base or tub is slanted. This is normal, as it helps with drainage. Find the highest point on the base or tub, and mark a level line from there to start.

**Mark the Walls:** Use a tape measure to mark 24" intervals up the left and right corners of the wall. These marks will help you measure and adjust the tile panels to fit your space.

**Measure and Trim:** Measure the width of the back wall. If needed, cut and trim the tile panels to fit properly.

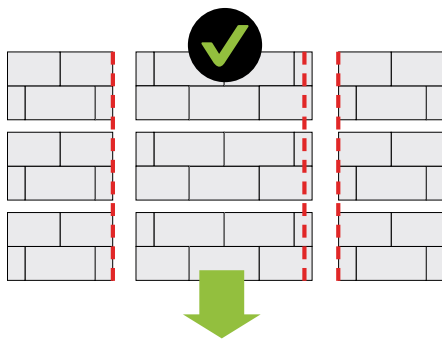
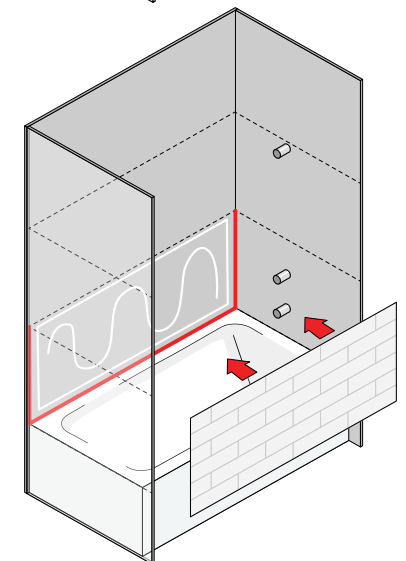
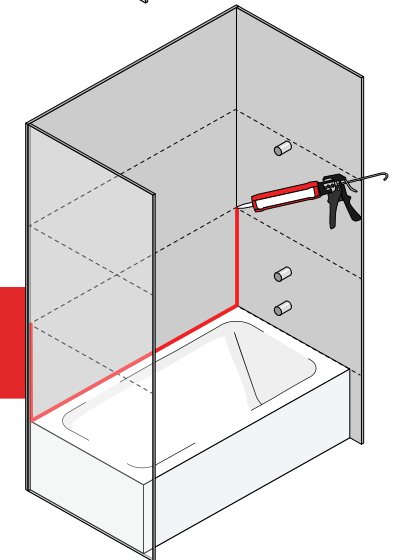
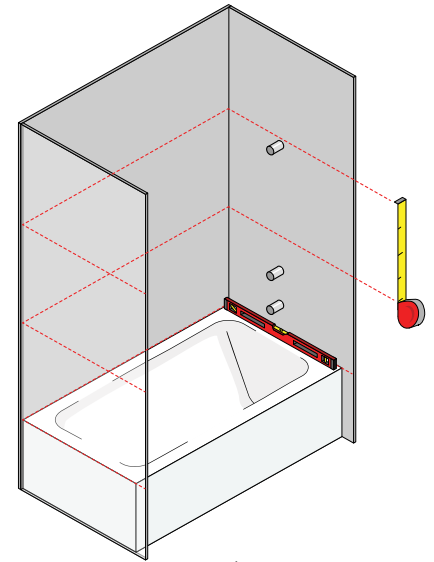
**Dry-Fit the Panel:** Before applying silicone or gluing panels, place the tile panel on the wall to check for fit and level.

**Apply Silicone Caulk:** Add a 1/2" bead of clear silicone caulk in the corner where the panel will go. Start at the bottom and go up 24" (to the height of the first row).

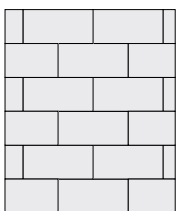
**Mount the Panel:** Attach the tile panel to the wall using construction adhesive.



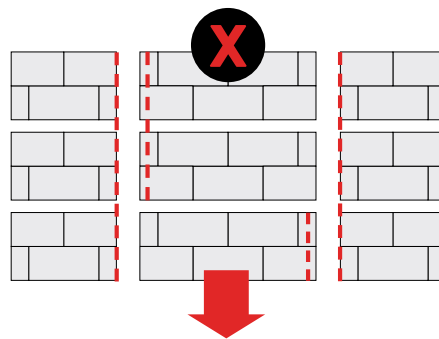
**PRO TIP:** Make sure any cuts are all done to the same ends so that the tile pattern will match once all back panels are installed.



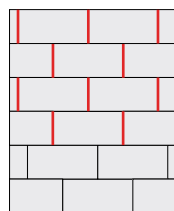
Cutting same ends



Aligned grout lines



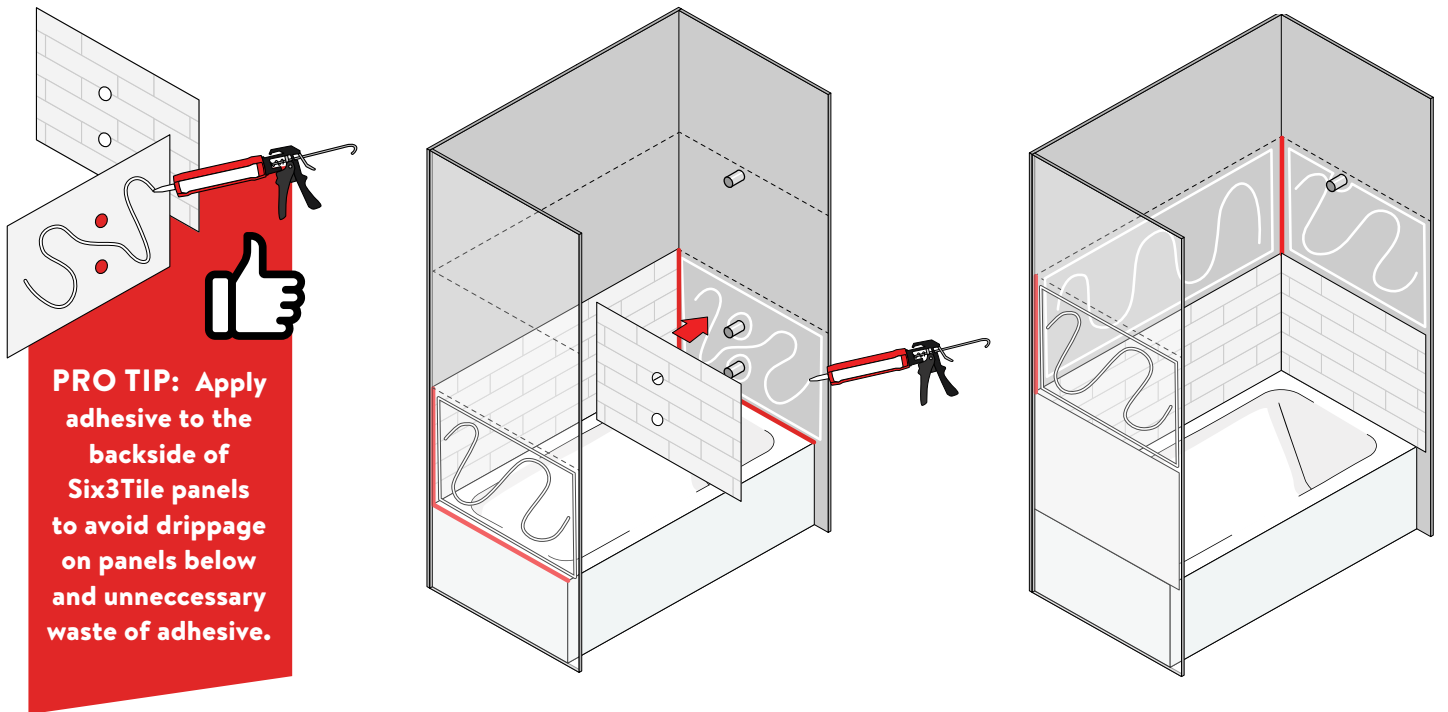
Cutting **different** ends



Misaligned grout lines

## STEP 2

Next, install the bottom side panels (the same process as the back panel prior) to complete the bottom row. Align the grout lines with the back wall panel. Determine where the side pieces will end at the outside of the tub or shower side wall. Using a level, draw a vertical line to the height of the shower wall. Using this line, measure to the back wall to get the correct width top and bottom of the panel. Since walls are rarely square this will give the most precise fit for each panel moving up the wall.



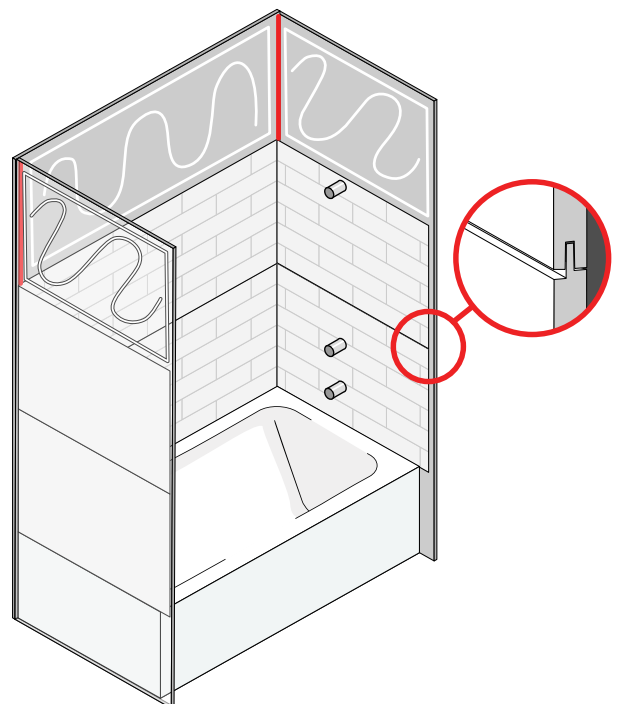
**PRO TIP:** Apply adhesive to the backside of Six3Tile panels to avoid drippage on panels below and unnecessary waste of adhesive.



Make sure all cuts are made to the same side of each tile per wall (where the panel meets the back wall). Otherwise, the tile pattern, when stacked, may not match up properly.

## STEP 3

Install the next row of back and side panels on top of the first row. When stacking panels, fit the grooved panel on the tongue, a grout channel will automatically be created that matches the tile pattern. This watertight seam will become invisible even before grouting. The rows of panels can be installed using this same method as described in Step 1. Always first check the fit of each panel, including the tongue and groove, before adhering to the wall.

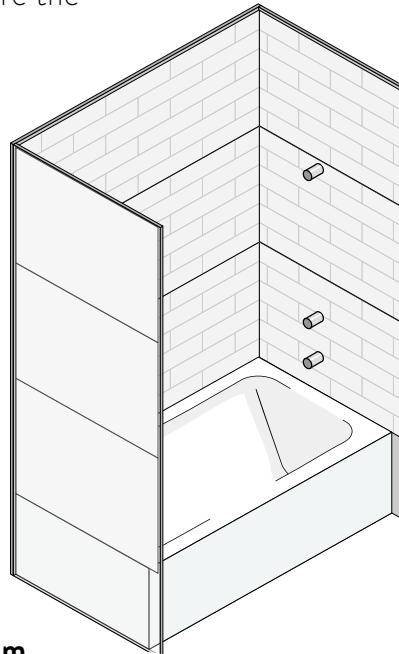


## STEP 4

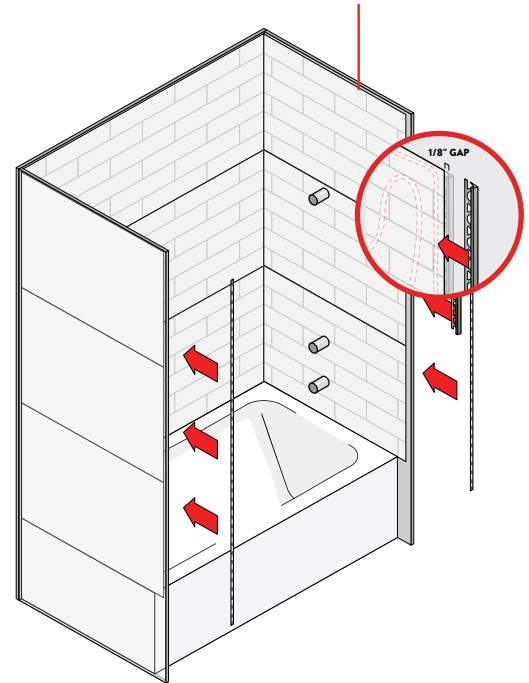
Edging can be installed by first measuring the length needed for each edge, then install by sliding the edge trim under the installed tile before the glue sets.

Some installers prefer to frame out their installation area with the trim first (prior to panel application). This will not effect the outcome of the Six3Tile installation. This same process is performed if edging is also applied along top of the tub enclosure. Refer to the edging manufacturer's instructions regarding inside and outside mitered corners.

**For a polished, professional look, ensure you leave a gap between the tile and the outer edge of your tile trim.**



Six3Tile top panels have a finished edge built in, so no additional edging necessary!



**The gap should match the grout lines of your tiles—1/8" for Six3Tile Shower & Tub Panels.**

Avoid pushing the trim snug against the tile.

## STEP 5



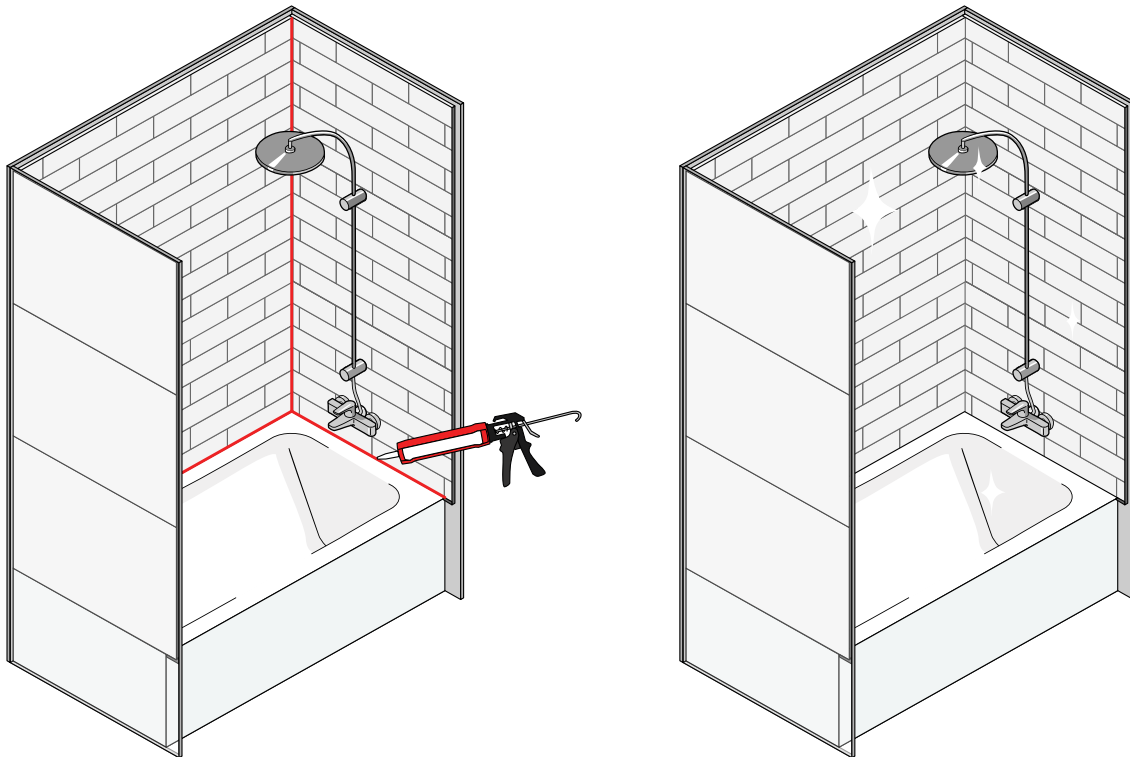
**PRO TIP: Use only un-sanded or non-sanded grout. Sanded grout may scuff the surface.**

Apply un-sanded grout in the exact same manner as you would when working with ceramic tile using a rubber float. **Never use a hybrid grout that states it can be used for either application.** Use a clean damp sponge to remove excess grout, then use a damp micro fiber towel to wipe off grout residue.



## STEP 6

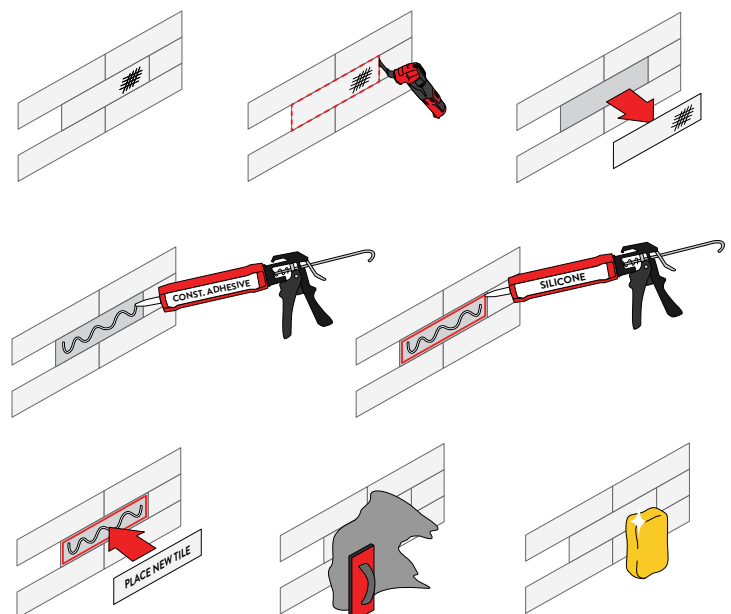
Once the grout has completely dried, **to accomplish the watertight seal you must caulk the inside corners and base of the application.** You can use any caulk available. Most grout manufacturers offer matching caulk. Clear silicone caulk is also an option. Caulking the inside corners and bottom edge to the tub or shower pan are paramount to achieving your watertight seal.



## REPLACING A DAMAGED TILE

If one of your Six3Tile panels does become damaged, don't worry—the repair process is straightforward. Use an oscillating tool to carefully cut out the affected tile, following along the grout line.

Once removed, clean out the area and apply construction adhesive to the back of a replacement tile. Place the new tile into position and regROUT the area. **For wet applications such as showers and tubs, apply a small amount of clear silicone around the perimeter of the cutout to seal around the replacement tile.**





## DO

- ✓ Work on a clean, level surface.
- ✓ Cut the panels from the same sides.
- ✓ Keep manufactured edge to exterior of the room.
- ✓ Use soft, non-abrasive cloths and gentle household cleaners like all-purpose cleaners, isopropyl alcohol, white vinegar, Dawn®, bleach-free disinfectant wipes, Dow Scrubbing Bubbles®, Windex® or similar products to clean surface of Six3Tile panels.
- ✓ Caulk the corners and base of the application.

## DO NOT

- ✗ Do not use sanded grout or “hybrid” grout. Both contain abrasives that may scuff the surface.
- ✗ Do not use Type 1 Mastics to apply Six3Tile over existing tile (instead use construction adhesive for this application).
- ✗ Do not use abrasive cleaning agents (such as Bleach, Ammonia-based, etc.) or abrasive and/or steel wool scrub pads. Do not use oil or wax-based cleaners, or metal scrapers.



**Have peace of mind knowing Six3Tile® products are covered with a 5-year limited warranty.**

[Read our warranty](#) for limitations and coverage.



Tiling Solutions Simplified™

## Congratulations! You have Six3Tile® installed in your home.

It is important to follow these care and maintenance tips to ensure your tile looks beautiful for as long as possible. Six3Tile offers a 5 year warranty\* on their products. Failure to follow the care instructions will void the warranty.

Most importantly, **do not use abrasive cleaners or scrubbing pads that will scratch the surface of the tile**, use soft, non-abrasive cloths and gentle cleaners. See the quick how-to guide below with more details.

Learn more about Six3Tile care by visiting [www.Six3Tile.com/care](http://www.Six3Tile.com/care)

---

## GENERAL CLEANING

Wipe the surface regularly with a clean, damp cloth or non-abrasive sponge. Do not use the scrubber side of dual-action sponges as this can potentially scratch or mar the tile surface. Use only the soft sponge side.

Microfiber cloths, usually readily available in the cleaning products aisle, are best for routine wiping and maintaining Six3Tile's finishes. Do not use wax-based or oil-based cleaners. We recommend using isopropyl alcohol (rubbing alcohol) to bring out the original shine of the tile.

### DO Use:

- ✓ Standard household sponges
- ✓ Clean, soft, damp cloths
- ✓ Any typical, non-abrasive disinfectant spray
- ✓ Any typical, non-abrasive all purpose or bathroom cleaner
- ✓ Isopropyl alcohol (rubbing alcohol)
- ✓ White vinegar for tough stains

### Do NOT Use:

- ✗ Abrasive scrubber pads
- ✗ Oil or wax-based cleaners for shine
- ✗ Metal scrapers
- ✗ Steel wool or pads (Brillo® Pads)



Have peace of mind knowing Six3Tile® products are covered with a 5-year limited warranty.

\*[Read our warranty](http://shop.six3tile.com/warranty) for limitations and coverage at [shop.six3tile.com/warranty](http://shop.six3tile.com/warranty).



Tiling Solutions Simplified™

## HEAVY-DUTY CLEANING

### DO Use:

- ✓ Liquid-based cleansers (Simple Green® or Dawn®)
- ✓ Disinfectant wipes (Clorox® brand wipes work well for reducing bacteria)
- ✓ Foaming cleansers (Dow Scrubbing Bubbles®)
- ✓ All-purpose multi-surface cleansers and glass cleansers (Windex® & similar products)
- ✓ White vinegar

### Do NOT Use:

- ✗ Abrasive scrubber pads
- ✗ Bleach
- ✗ Ammonia-based cleansers

---

## GROUT MAINTENANCE

Maintaining your grout is another important piece of your tile maintenance, while we defer to the grout manufacturer's instructions, we've provided these quick tips for convenience.

### Stained Grout Cleaning:

- 1 Apply either a baking soda paste or hydrogen peroxide solution to the grout.
- 2 Wait a while for the cleanser to lift the stain.
- 3 Scrub the area with a toothbrush.
- 4 Rinse the area.

### General Grout Cleaning

- 1 Apply a commercial grout cleaner to the grout.
- 2 Wait for around 15 minutes for it to work.
- 3 Scrub the dirt away with a toothbrush.
- 4 Rinse the grout with clean water.

---

[www.SIX3TILE.com](http://www.SIX3TILE.com)

119 Grace Avenue | Lancaster, South Carolina 29720

Copyright ©2025 Aleris, LLC. All rights reserved.